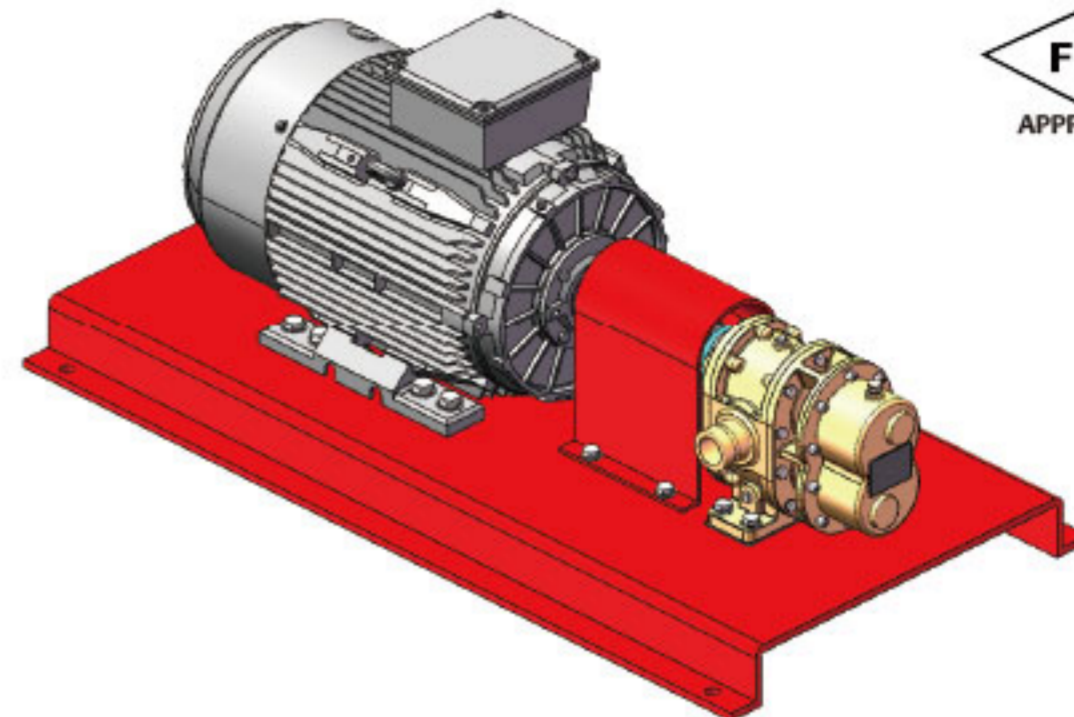


Model G9-113 W/IEC Electric Motor Rotary Gear Pump Unit

Pump Unit Include:

- Model G9-113 Rotary gear pump FM Approved.
- UL listed or Non-listed TEFC Type Electric Motor*.
- Curved Jaw Elastomer Coupling.
- Carbon Steel Coupling Guard RAL3000(standard) or other color on request.
- Carbon Steel Base Plate, RAL3000(standard) or other color on request.

* Junction Box located on top or side of motor



Technical Data:

Speed:	1450RPM
Connection Dia:	DN80(88.9mm O.D)
Connection Type:	Groove, Flange, Thread
Voltage:	380V/3P/50HZ
Enclosure:	IP 56

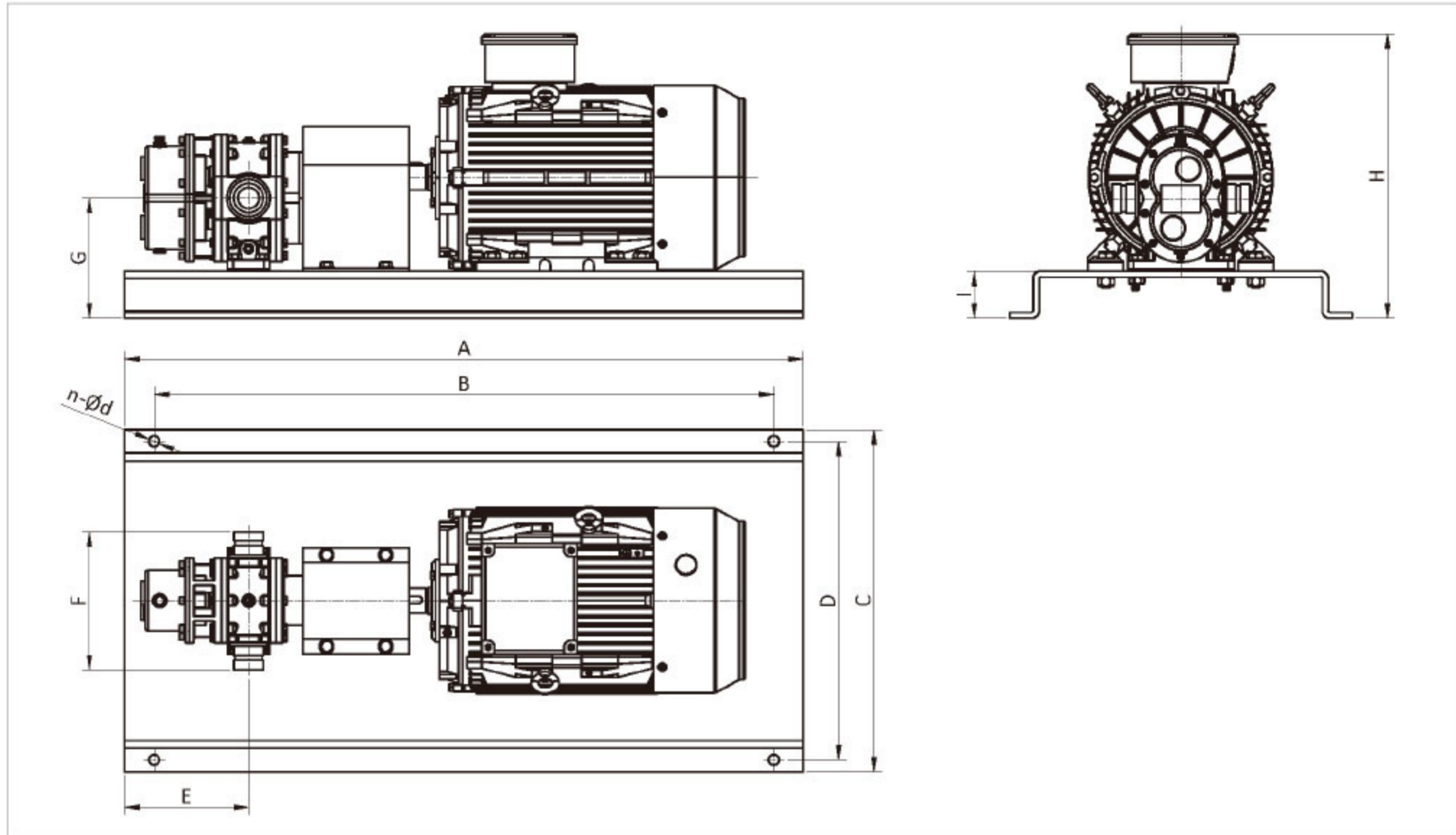
Performance

Speed	G9-113	
1500rpm	Flow Rate (Water)	Power
Pressure	BAR	L/min
5.0	708.2	13.00
5.5	700.4	13.68
6.0	692.9	14.35
6.5	685.5	15.03
7.0	678.3	15.72
7.5	671.4	16.41
8.0	664.6	17.10
8.5	658.2	17.81
9.0	651.9	18.53
9.5	646.0	19.26
10.0	640.3	20.00
10.5	634.8	20.76
11.0	629.7	21.53
11.5	624.8	22.31
12.0	620.1	23.10
12.5	615.7	23.91
13.0	611.5	24.72
13.5	607.5	25.53
14.0	603.7	26.35
14.5	600.1	27.18
15.0	596.7	28.00
15.5	593.4	28.82
16.0	590.3	29.65
16.5	587.3	30.47
17.0	584.4	31.28
17.5	581.6	32.09
18.0	579.0	32.90
18.5	576.4	33.69
19.0	574.0	34.47
19.5	571.6	35.24
20.0	569.2	36.00

Speed	G9-113	
1500rpm	Flow Rate (Foam)	Power
Pressure	BAR	L/min
5.0	698.4	14.00
5.5	694.5	14.73
6.0	690.7	15.45
6.5	686.8	16.16
7.0	683.0	16.86
7.5	679.3	17.56
8.0	675.5	18.26
8.5	671.9	18.95
9.0	668.3	19.63
9.5	664.7	20.32
10.0	661.2	21.00
10.5	657.7	21.68
11.0	654.3	22.37
11.5	651.0	23.05
12.0	647.7	23.74
12.5	644.4	24.44
13.0	641.2	25.14
13.5	638.1	25.84
14.0	634.9	26.55
14.5	631.8	27.27
15.0	628.7	28.00
15.5	625.6	28.74
16.0	622.5	29.49
16.5	619.4	30.25
17.0	616.3	31.02
17.5	613.3	31.81
18.0	610.2	32.62
18.5	607.1	33.44
19.0	604.0	34.27
19.5	600.8	35.13
20.0	597.6	36.00

Model G9-113 W/IEC Electric Motor Rotary Gear Pump Unit

Dimensions



Model	Power	A	B	C	D	E	F	G	H	I	n	d
G9	Kw	mm	mm	mm	mm	mm	mm	mm	mm	mm	-	mm
	15.0	1290	1190	580	540	280	270	219	508	80	4	18
	18.5	1330	1230	630	590	280	270	219	529	80	4	18
	22.0	1370	1270	630	590	280	270	219	529	80	4	18
	30.0	1410	1310	700	660	280	270	235	580	80	4	18
	37.0	1450	1350	760	720	280	270	260	637	80	4	18